

**BROILMASTER®**

PREMIUM GRILLS

**MARINE GRADE**

# 32-inch GRILL HEAD.

---

## 32-INCH GRILL HEAD

The Broilmaster Marine Grade Gas Grill comes fully loaded with a variety of standard features, offering both convenience and versatility, combined with the added benefit of 316 Marine Grade Steel. Marine Grade Steel is a molybdenum-alloyed steel preferred for use in marine environments due to its resistance to pitting and corrosion. Enhance your outdoor grilling experience with the reassurance of Broilmaster's quality Marine Grade stainless steel grill.

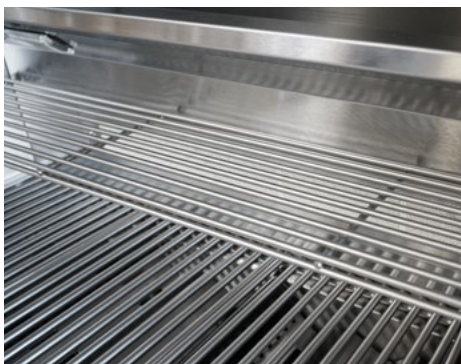
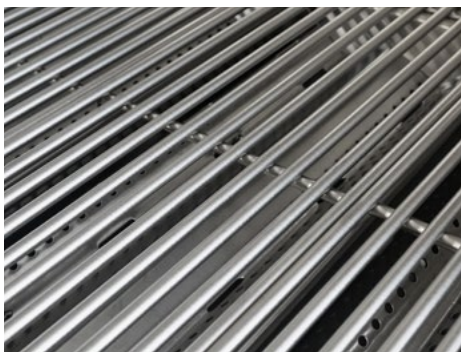


**32-IN (FOUR BURNER) – 56,000 BTUs**

UP TO 682 SQ. IN. COOKING AREA

## STANDARD FEATURES

- 316 Stainless Steel
- Heavy-Duty Cooking Grids
- Flame Thrower Ignition
- Welded Double Lined Hood
- Flare Control Vaporizer
- Control Knob Lights
- Warming Rack
- Heat Zone Dividers
- Drip Tray
- Interior Lighting
- Cast Stainless Steel Burner (14,000 BTUs)
- Rotisserie Infrared Burner



# Bring your **KITCHEN** outside.

## BUILT-IN STORAGE ACCESSORIES

Customize your storage with doors and drawers, available in multiple sizes and configurations to suit your needs. The soft close feature prevents hard closures, keeping contents in place and extending the life of the components. Accessories are made with high-quality 304 stainless steel.



**DOUBLE DRAWER (20-IN)**



**TRIPLE DRAWER (18-IN)**



**SINGLE ACCESS DOOR (17-IN, 24-IN)**



**DOUBLE ACCESS DOOR (26-IN, 34-IN, 42-IN)**



**SINGLE DOOR DOUBLE DRAWER (34-IN)**



**SINGLE DOOR TRIPLE DRAWER (42-IN)**

# BUILT-IN COOKING & CONVENIENCE ACCESSORIES

Maximize your cooking space with a side burner. Choose the single burner, double burner, or power burner. For added convenience, select the roll-out waste drawer or propane tank drawer.



**SINGLE BURNER, DROP-IN (12-IN)**

12,000 BTUs



**DOUBLE BURNER, SLIDE-IN (12-IN)**

24,000 BTUs



**POWER BURNER, SLIDE-IN (16-IN)**

60,000 BTUs



**WASTE DRAWER, ROLL-OUT (18-IN)**

\*Required for installation with combustible materials.



**PROPANE TANK DRAWER, SLIDE-OUT (20-IN)**



**INSULATED SLEEVE\* (12-IN, 16-IN, 26-IN, 32-IN, 40-IN)**

Put it **WHERE** you **WANT** it.

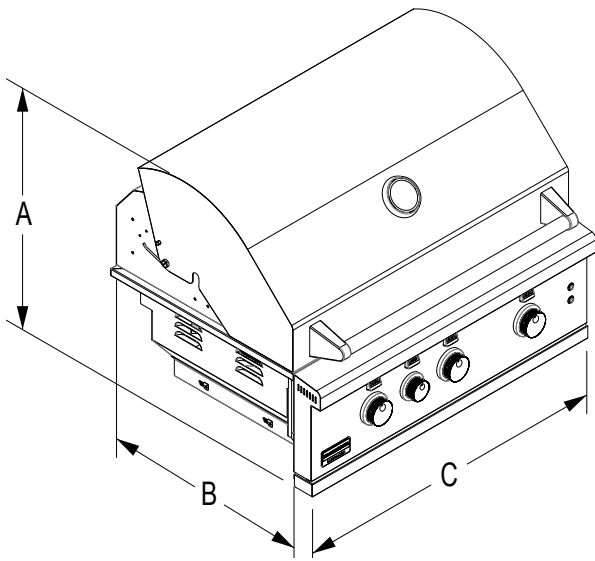
---

## GRILL CARTS

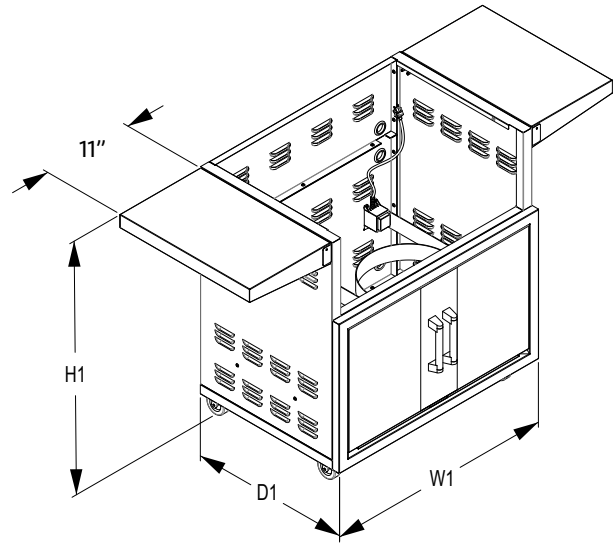
Move your grill almost anywhere with one of our cart options. The durable stainless steel cart includes two doors for easy storage.



## DIMENSIONS



BSB324MGN GRILL HEAD BUILT-IN DIMENSIONS	
<b>A</b>	8 1/2
<b>B</b>	20 1/2
<b>C</b>	31



BSACT32 CART DIMENSIONS	
<b>H1</b>	35 3/4
<b>D1</b>	22
<b>W1</b>	33 1/2

## WARRANTY

**LIMITED LIFETIME:** Against rust-through on stainless steel grill housing, stainless steel cooking grids, and select stainless steel components including carts, cast stainless steel burners, stainless steel drip tray, side burners, side burner housings, warming racks, built-in sleeves, access doors and drawers, and vent register kits. **LIMITED 5 YEAR:** Against rust-through on flare control vaporizers and heat zone dividers. **1 YEAR:** Against rust-through on valves, knobs, ignitors, labels, hoses, fittings, and all other parts and accessories – including those made from stainless steel.

**BROILMASTER**

918 Freeburg Avenue • Belleville, Illinois 62220 | 010131 091724