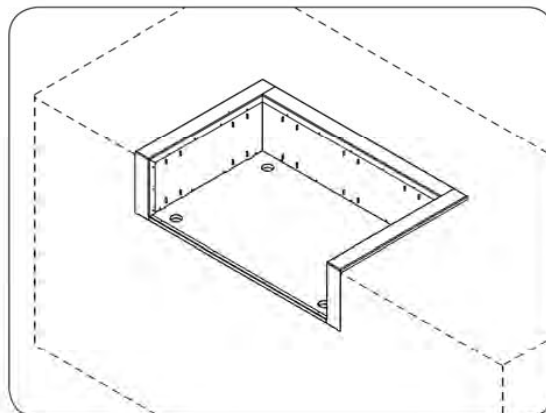




GRILL INSULATING LINER

Model# (24, 30, 36)-IL-B



INSTALLER: Leave these instructions with consumer.
CONSUMER: Retain for future reference.

SPECIFICATIONS

IMPORTANT INFORMATION

Read these instructions and the safety and installation sections of the grill owner's manual before liner installation.

The insulating liner comes pre-assembled and ready to install.

FOR YOUR SAFETY, the enclosure must provide openings for drainage, replacement air, and cross-ventilation of any storage area exposed to possible leakage from gas connections, the unit, or propane cylinders.

This liner is only for installation in an enclosure constructed of combustible materials and a NON-COMBUSTIBLE countertop.

All additional enclosure requirements, safety guidelines, and any other requirements found in your grill owner's manual MUST BE FOLLOWED.

DETERMINE INSTALL METHOD AND PREPARE CUTOUT

The insulating liner can be hung from the countertop using the liner hangers (see Fig. 1-1, A), or the liner bottom can sit directly on a sturdy base with the additional support of the hangers (see Fig. 1-1, B).

See your grill owner's manual for all overall enclosure requirements.

See sections on following pages regarding cutout dimensions, and countertop overhang and substrate considerations. Then proceed to INSTALLATION.

Grill Series	Liner Model
24NB(L,T)	24-IL-B
30NB(L,T)	30-IL-B
36NB(L,T)	36-IL-B

Table 1 - Models available

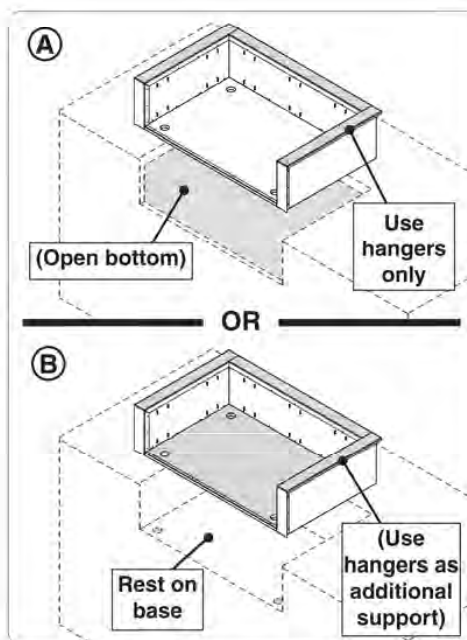


Fig. 1-1 Determine install method

SPECIFICATIONS (cont.)

CUTOUT DIMENSIONS

	24-IL-B	30-IL-B	36-IL-B
A Countertop to unit bottom cut-out	9"	9"	9"
B Side to side cut-out	28 ⁵ / ₈ "	34 ⁵ / ₈ "	40 ⁵ / ₈ "
C Front to back cut-out *	21 ⁵ / ₈ "	21 ⁵ / ₈ "	21 ⁵ / ₈ "
D Liner flange width cut-out †	29 ⁵ / ₈ "	35 ⁵ / ₈ "	41 ⁵ / ₈ "

* Includes any substrate at front wall of enclosure (in the areas the liner flanges are to sit flush against).
See SUBSTRATE section on next page.

† Only applicable for enclosures that have countertops with an overhang (see illustration and section below).

Table 2 - Cutout Dimensions

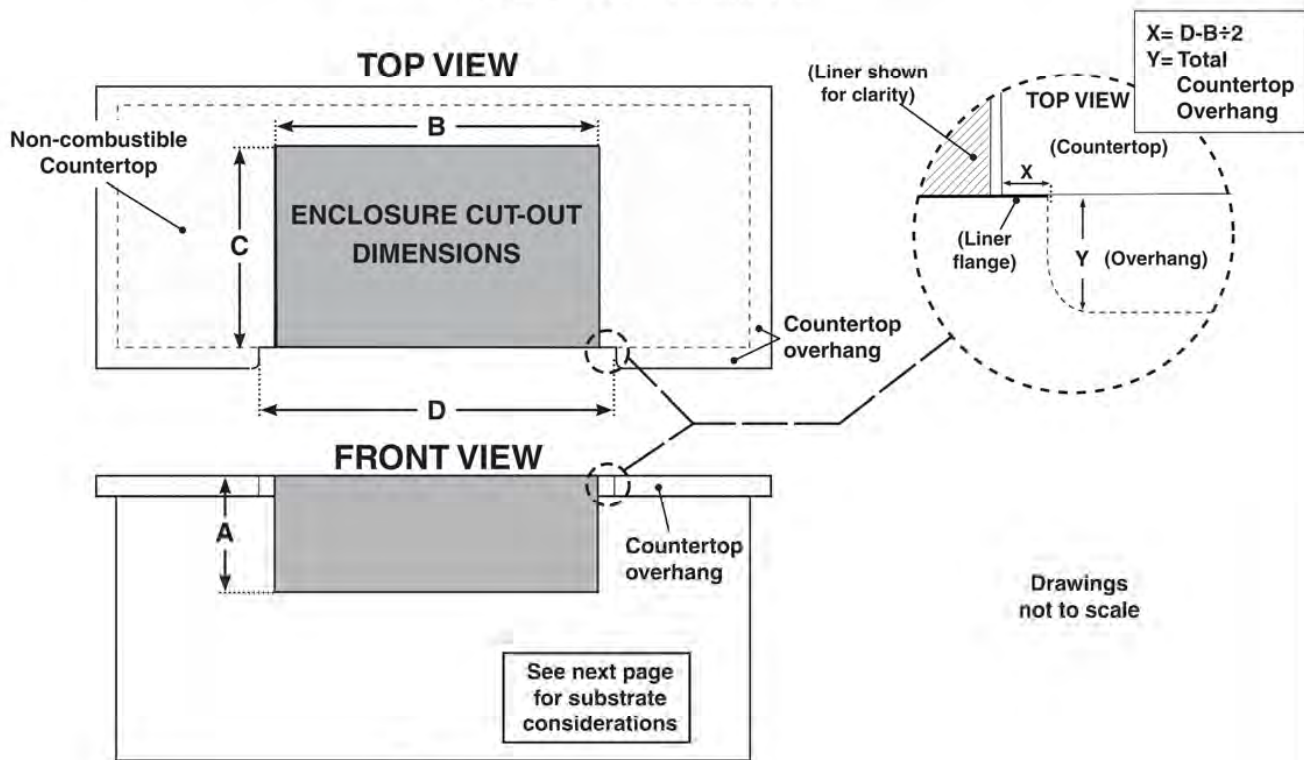


Fig. 2-1

Countertop Overhang

The liner front flanges are designed to sit flush against the enclosure front wall. If the countertop extends beyond the front wall, creating a countertop overhang, it must be cut flush with the front wall for the width of the liner flanges or a gap will be created exposing the forward portions of the left and right side liner walls. See illustrations above.

Important: FOR YOUR SAFETY, you must provide openings in the island enclosure for drainage, replacement air, and cross-ventilation of any storage area exposed to possible leakage from gas connections, the unit, or propane bottles. See the ENCLOSURE REQUIREMENTS section in grill owner's for details.

SPECIFICATIONS (cont.)

Substrate

When adding any substrate to the enclosure front wall (including tiles, stone, etc.), consider the following:

Substrate Behind Liner Flange

Substrate + countertop "front to back" cutout must equate to **Dim. C** (see previous page) when the substrate sits flush behind the liner flanges.

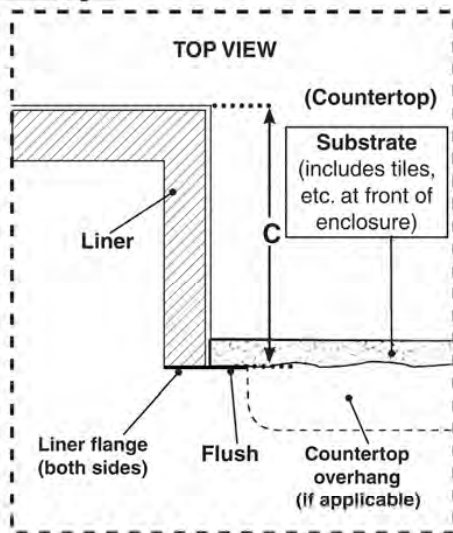


Fig. 3-1

Substrate Alongside Liner Flange

Any additional substrate alongside the liner flanges does not need to be considered in **Dim. C** (see previous page).

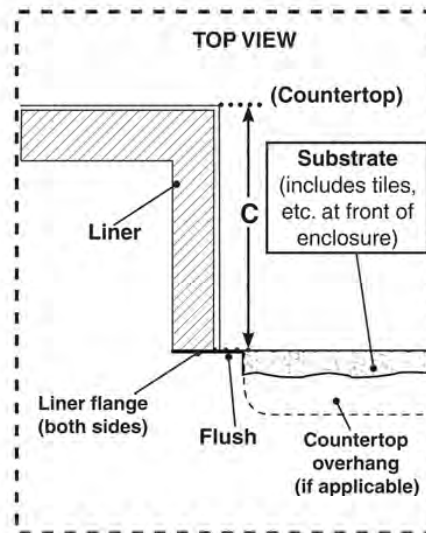


Fig. 3-2

INSTALLATION

1. Install the insulating liner as shown in Fig. 3-3.

- If installing on a countertop with an irregular/textured surface, a bead of silicone sealer rated for 400° or higher may be needed.
- If the liner is being installed using method B, a 1 1/2" hole must be cut through the base (enclosure) to allow for proper gas installation.

If applicable, a second 1 1/2" hole must be cut to allow for proper electrical installation.

See Fig. 3-3 for hole locations. Use the insulating liner holes as guides. Remove knock-outs as needed.

- Holes exist at the rear of the liner; however, it is recommended to use the front holes.

2. Install your grill per your grill owner's manual.

Important: Do not allow the grill hanger to come in contact with the countertop or any combustible surface (see Fig. 3-4).

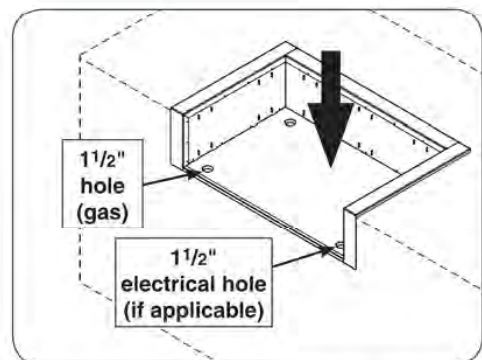


Fig. 3-3 Install insulating liner

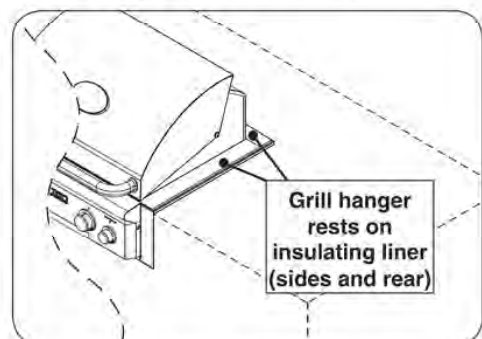


Fig. 3-4 Install grill into liner

NOTES PAGE

Please use this page to record any information that you may want to have at hand.