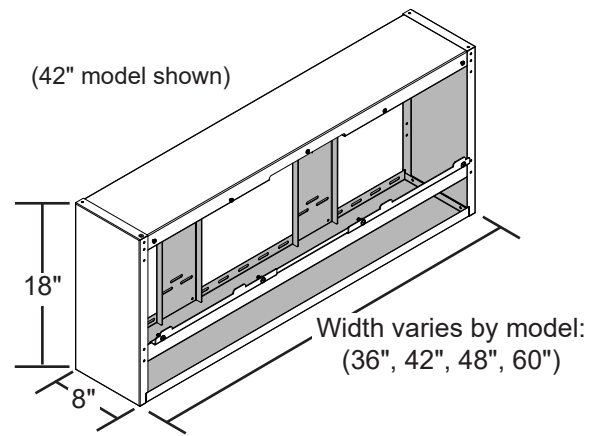




## Vent Hood Spacer

Models: (36,42,48,60)-VH-7-02

(only compatible with VH-7 series vent hoods)



This Fire Magic Spacer is specifically designed for your Fire Magic VH-7 Series Vent Hood. To install, read and follow all instructions in the owner's manual provided with your vent hood.

Reference the parts list below to identify the hardware included with your spacer (to be used during installation).

Item	Description	36" Model Qty.	42" Model Qty.	48" Model Qty.	60" Model Qty.
1.	Support plates	4	4	4	4
2.	1/4-20 screws *	2	4	4	4
3.	#10 x 3/4" screws *	5	5	5	5

\* Not shown

ROBERT H. PETERSON CO. • 14724 East Proctor Avenue • City of Industry, CA 91746

REV 0 - 2108241505

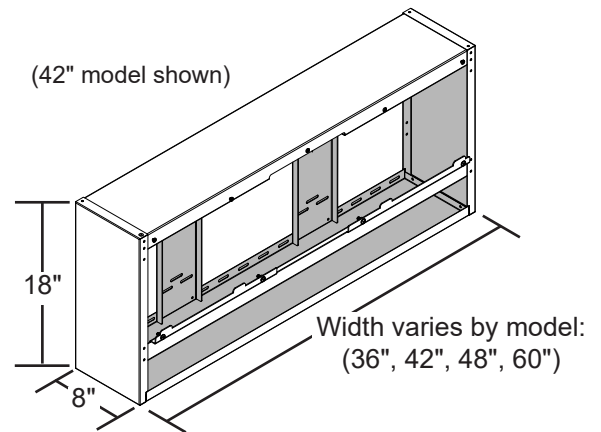
L-C2-584



## Vent Hood Spacer

Models: (36,42,48,60)-VH-7-02

(only compatible with VH-7 series vent hoods)



This Fire Magic Spacer is specifically designed for your Fire Magic VH-7 Series Vent Hood. To install, read and follow all instructions in the owner's manual provided with your vent hood.

Reference the parts list below to identify the hardware included with your spacer (to be used during installation).

Item	Description	36" Model Qty.	42" Model Qty.	48" Model Qty.	60" Model Qty.
1.	Support plates	4	4	4	4
2.	1/4-20 screws *	2	4	4	4
3.	#10 x 3/4" screws *	5	5	5	5

\* Not shown

ROBERT H. PETERSON CO. • 14724 East Proctor Avenue • City of Industry, CA 91746

REV 0 - 2108241505

L-C2-584